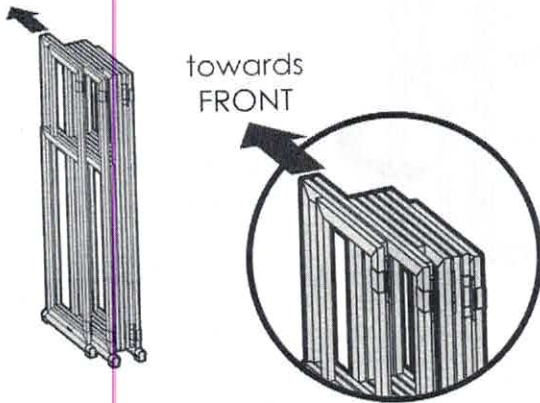


ASSEMBLY INSTRUCTIONS

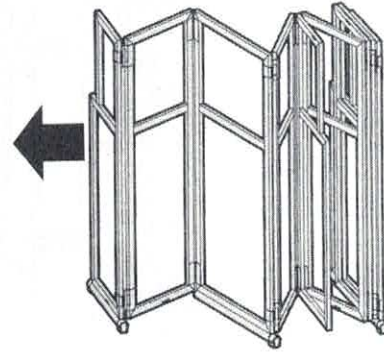
Assembling the Bar

The following illustrations show step by step instructions for assembling the Bar and Grill Table. Contact your Retail Dealer or Commercial Representative if you have any questions.

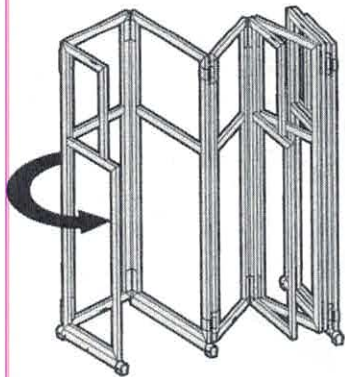
1. Line up Bar Frame as shown



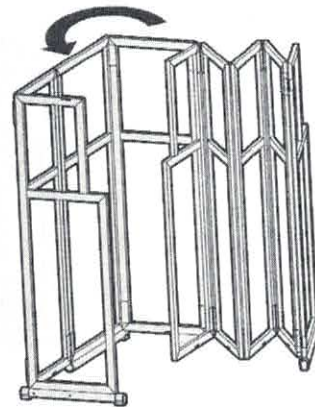
2. Extend the frame to the left.



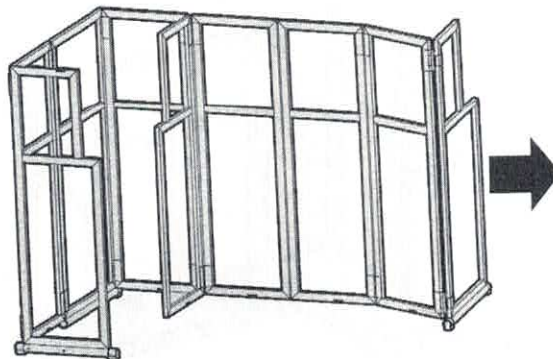
3. Rotate the end panel around 180°.



4. Rotate the 3rd panel 90° as shown.

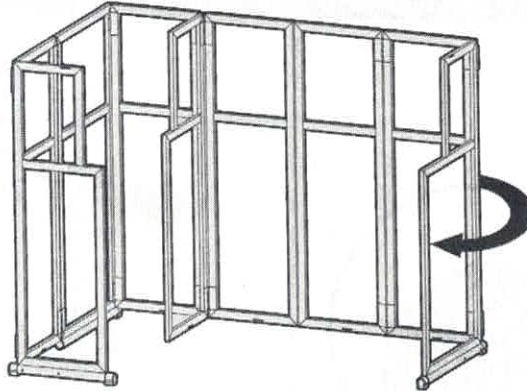


5. Extend and unfold the remaining panels to the right.

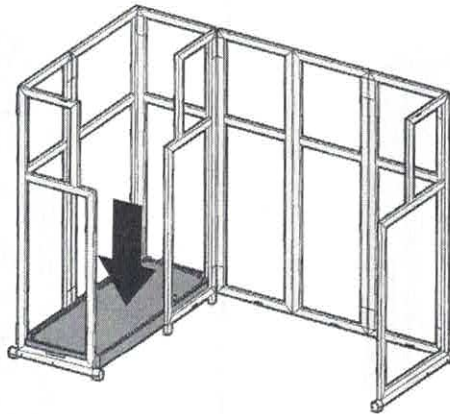


ASSEMBLY INSTRUCTIONS

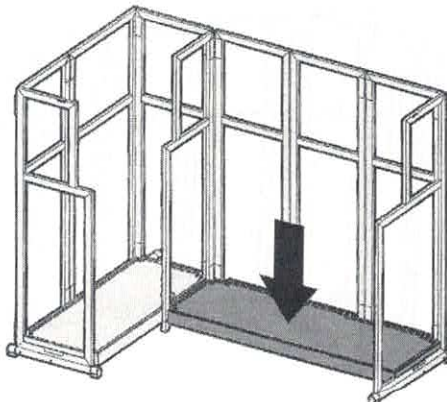
6. Rotate the end panel around 180°.



7. Install the Bottom Shelf, Left.

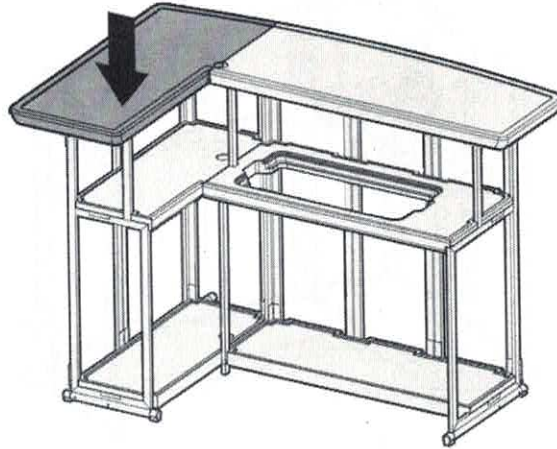


8. Install the Bottom Shelf, Right.

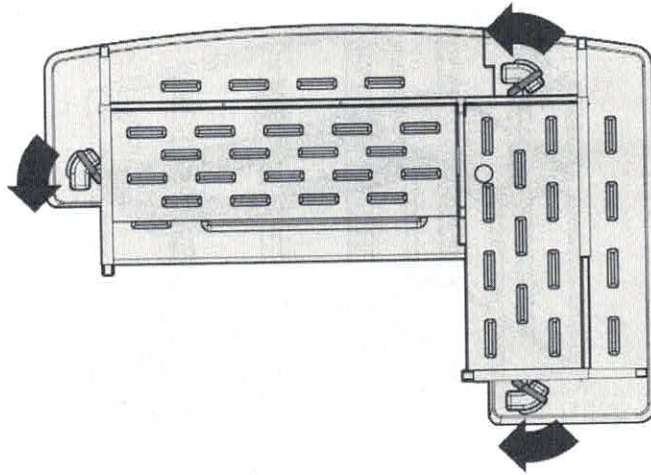


ASSEMBLY INSTRUCTIONS

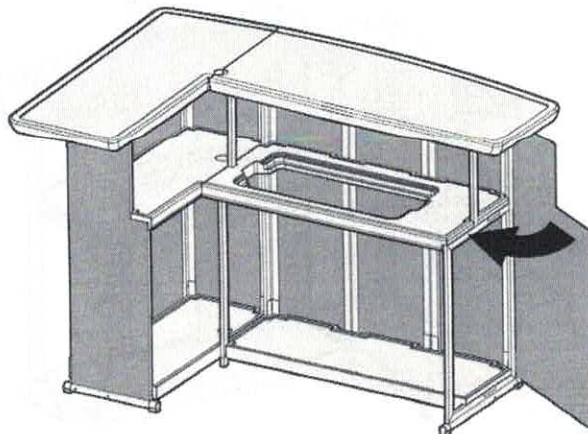
12. Install the Top Shelf, Left.



13. Rotate the locking levers (x3) on the underside of the Top Shelves.

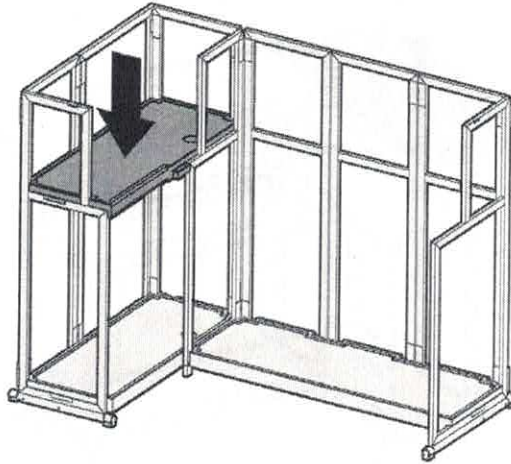


14. Apply the Bar Wrap using the Velcro attachments.

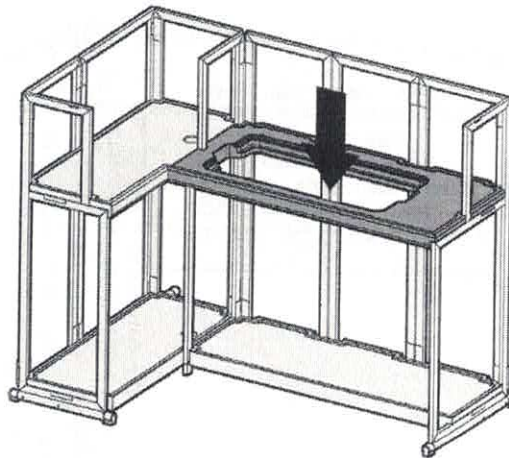


ASSEMBLY INSTRUCTIONS

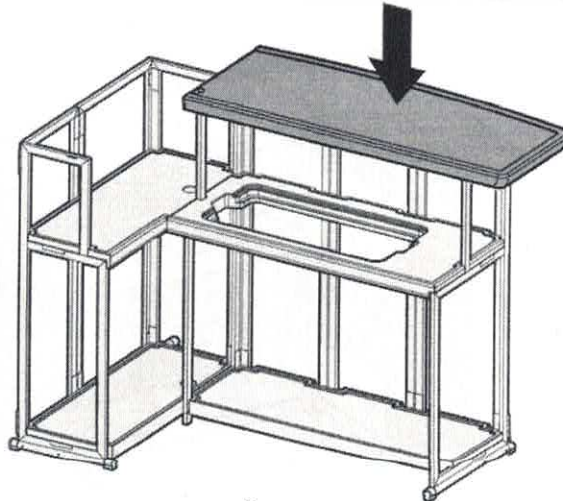
9. Install the Middle Shelf, Left.



10. Install the Middle shelf, Right.

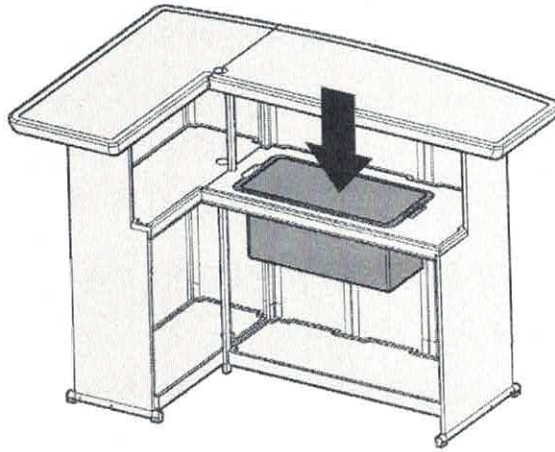


11. Install the Top Shelf, Right.

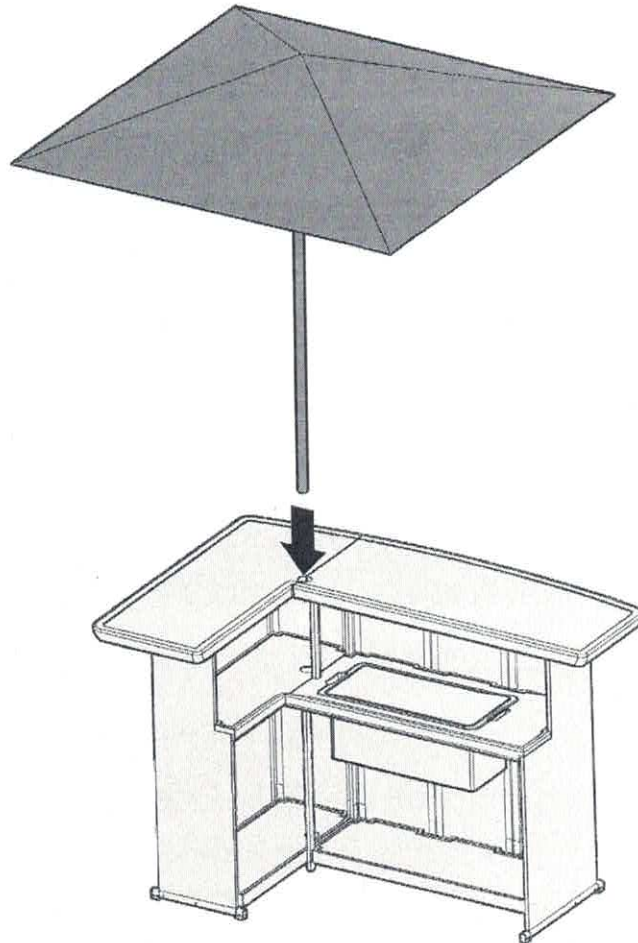


ASSEMBLY INSTRUCTIONS

15. Install the Ice Chest into the hole in the Middle Shelf, Right.



16. Install the Umbrella through the holes in the Top, Middle, and Bottom Shelves.



Instructional Video: www.bestoftimesusa.com/howitworks